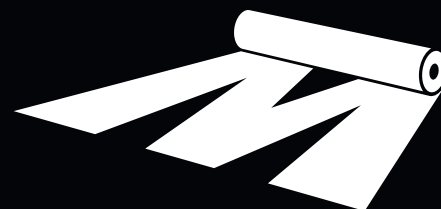


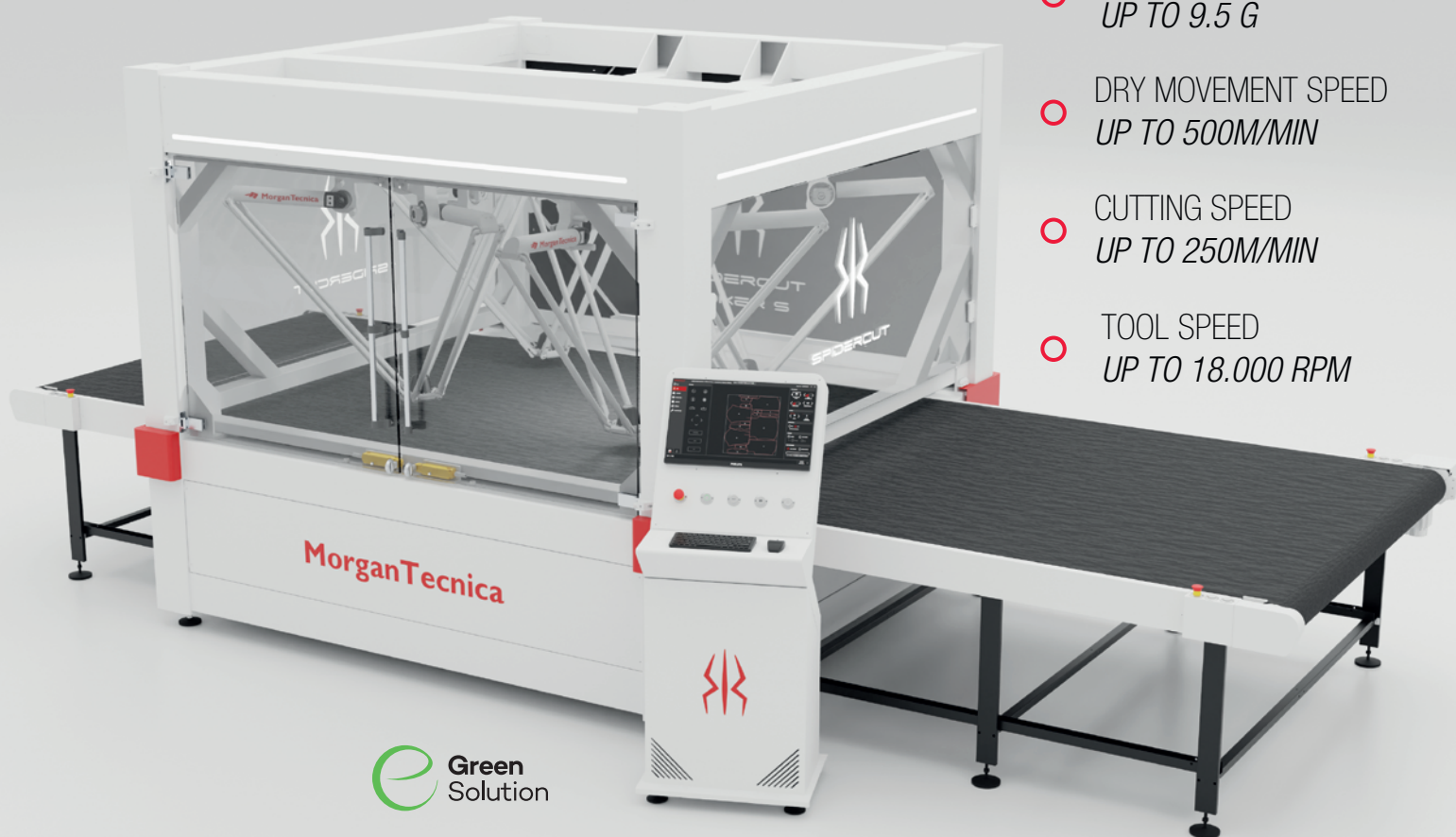


SPIDERCUT POKER S



MorganTecnica

Robotic Cutter



- PEAK ACCELERATION
UP TO 9.5 G
- DRY MOVEMENT SPEED
UP TO 500M/MIN
- CUTTING SPEED
UP TO 250M/MIN
- TOOL SPEED
UP TO 18.000 RPM



HIGH-SPEED ROBOTIC CUTTER

The new generation of single-ply cutting machines designed to deliver precision, efficiency, and sustainable manufacturing performance.



MorganTecnica



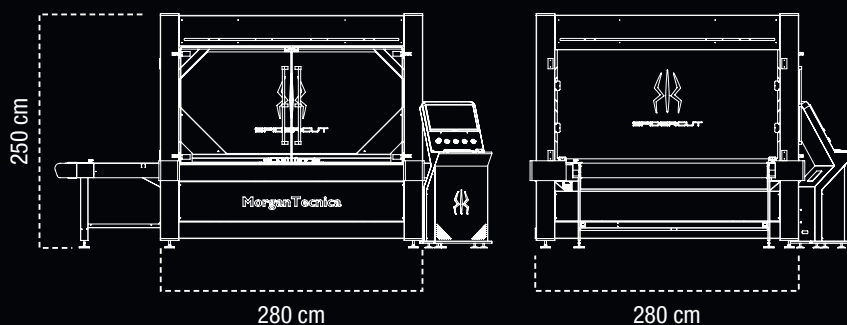
Company with Integrated Management System
UNI EN ISO 9001:2015 & UNI EN ISO 45001:2012
certificates TUV SUD No. 50 100 17906 and No. 50 100 17907

www.morgantecnica.com

ITALY / INDIA / CANADA / HONG KONG / USA / VIETNAM



**SPIDERCUT
POKER S**



SPIDERCUT KEY ADVANTAGES

○ Precision without compromise

- Ultra-high precision cutting system
- Perfect edges with no damage to the fabric
- No alteration of odor or material properties

○ Unmatched performance

- Exceptional cutting speed
- Maximum production output
- Minimal operating costs

○ Advanced intelligence

- Vision system with linear camera
- Dual-optical automatic calibration
- All Vision System application supported (CE, PM, RM, Pn, MP)

○ Engineering excellence

- Carbon-fiber robotic arms
- Advanced robotic architecture
- European engineering (China-free design)

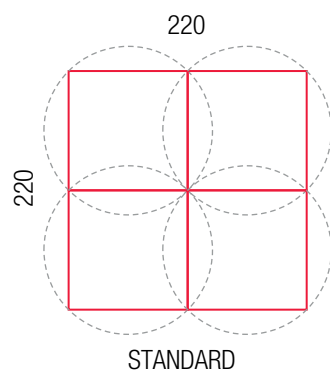
○ Applications

- Mass production for garments and upholstery
- Composites and aramid fibers
- Built to perform across all applications

DESIGNED TO SCALE

Available in **S, XL, Twin XL and Poker S configurations**, featuring a fully modular and expandable architecture that enables side-by-side installation to maximize production capacity.

CUTTING WINDOWS



- Zero emissions, fumes, or odors
- Zero CO₂ footprint
- No plastic or paper consumption
- Minimal energy usage